

Flush Mount Industrial Pressure Transmitter

SST 88 Series Low Pressure

FEATURES

- Low Cost/Ex-stock Delivery
- Flush Mount
- 316 SS compatible media
- Industrial standard

APPLICATIONS

- Hydraulics/Pneumatics
- Robotics/Automation
- Industrial Control
- Food and Beverage



DESCRIPTION

The SST 88 Series from Senphire are stainless steel isolated pressure transmitters suitable for harsh media. They utilize a MEMs pressure sensor inside a stainless steel housing. Pressure is coupled from a SS 316 membrane that deforms with pressure via a transmission fluid (silicone oil). Wetted materials are SS #316, compatible to almost all industrial fluids and gases.

The SST 88 Series are supplied with a DIN 43650 connector as standard. Dynamic temperature compensation of Linearity, Offset and Full Scale output is achieved via the latest ASIC technology.

Transducers are available in full scale ranges from 0.3 psi to 25 bar. They can be configured with custom outputs and pressure interfaces upon request. Please contact the factory for customization details.



RM/1005/10F Ho King Comm Ctr,
2-16 Fa Yuen St. Mongkok Hong Kong,
Tel: +852 81973212
Email: info@senphire.com
www.senphire.com

Specifications

Supply Voltage: 0-5V Output 6-28 V d.c.
 0-10V Output 13-28 V d.c.
 4-20mA Output 9-28 V d.c. (9V without load resistor)

Standard Pressure Ranges (psi)*	0.3	0.5	1.0	2.0	3.0	5.0	7.0	10.0
Over Pressure (psi)	2.0	2.0	2.0	10	10	10	15	20
Burst Pressure (psi)	3.0	3.0	3.0	15	15	15	22	30

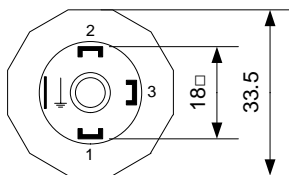
Note*: Standard Pressure Ranges can be specified in Gage, Negative Gage (vacuum) pressure
 Custom ranges available on request

Parameter Name	Value
Accuracy*	0.35 % Typical, 0.6% Max BFSL
Operating Temperature	- 40 to 105 °C
Compensated Temperature	- 20 to 85 °C
Thermal Effects Error Band 1	1.2% FS from - 20 to 85 °C
Thermal Effects Error band 2	2.5% FS Max. from - 40 to 105 °C
Long Term Stability	0.2% FS per annum Typical
Response time	2 ms Typ.
Vibration Sensitivity	<0.05%FS/g @ 20g peak sinusoidal, 10 – 2KHz
Sensor Type	Silicon Piezoresistive
Wetted Parts	316 SS, Viton (O-ring)
Pressure Port	Custom (see drawing)
Electrical Connections	DIN 43650

Note*: Accuracy includes Non-Linearity, Hysteresis and Repeatability. Best fit straight line definition. For 0.3, 0.5, 1.0, 2.0 and 3.0 psi ranges accuracy is 1.5% FS

Connections:

DIN 43650



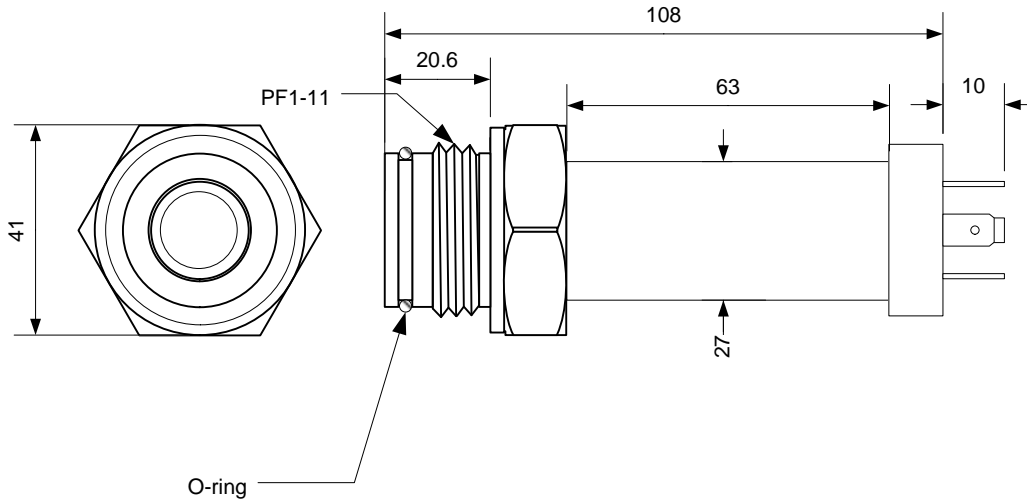
Pin #	Description
1	+Ex
2	-Ex
3	Output (Voltage Output Only)
4	Case Ground



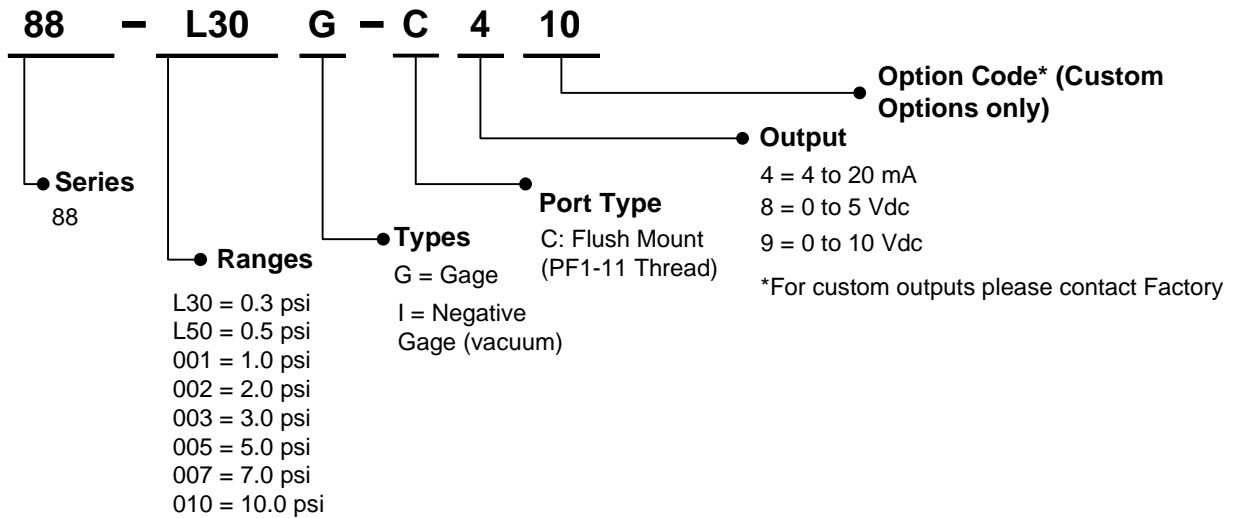
RM/1005/10F Ho King Comm Ctr,
 2-16 Fa Yuen St. Mongkok Hong Kong,
 Tel: +852 81973212
 Email: info@senphire.com
 www.senphire.com

Dimensions (mm)

SST 88 Series



Ordering Information



Disclaimer/Warranty/Notice

Senphire Ltd products are not authorized for use in applications where failure could result in loss of life or injury. While Senphire provides application assistance personally, through our literature and website, it is the responsibility of the customer to determine the suitability of the product for the intended application.

All information provided is believed to be accurate at the time of publishing however Senphire Ltd reserves the right to make changes without prior notice.

Senphire Ltd warrants its products to be free of manufacturing defects for a period of 12 months from the date of purchase. The maximum liability, expressed or implied shall be limited to a direct replacement of those products Senphire finds defective. The foregoing is the Buyers Sole remedy in lieu of all other warranties, expressed or implied including those of merchantability and fitness for a particular purpose.



RM/1005/10F Ho King Comm Ctr,
2-16 Fa Yuen St. Mongkok Hong Kong,
Tel: +852 81973212
Email: info@senphire.com
www.senphire.com

Ver 1.2 29 Dec 10